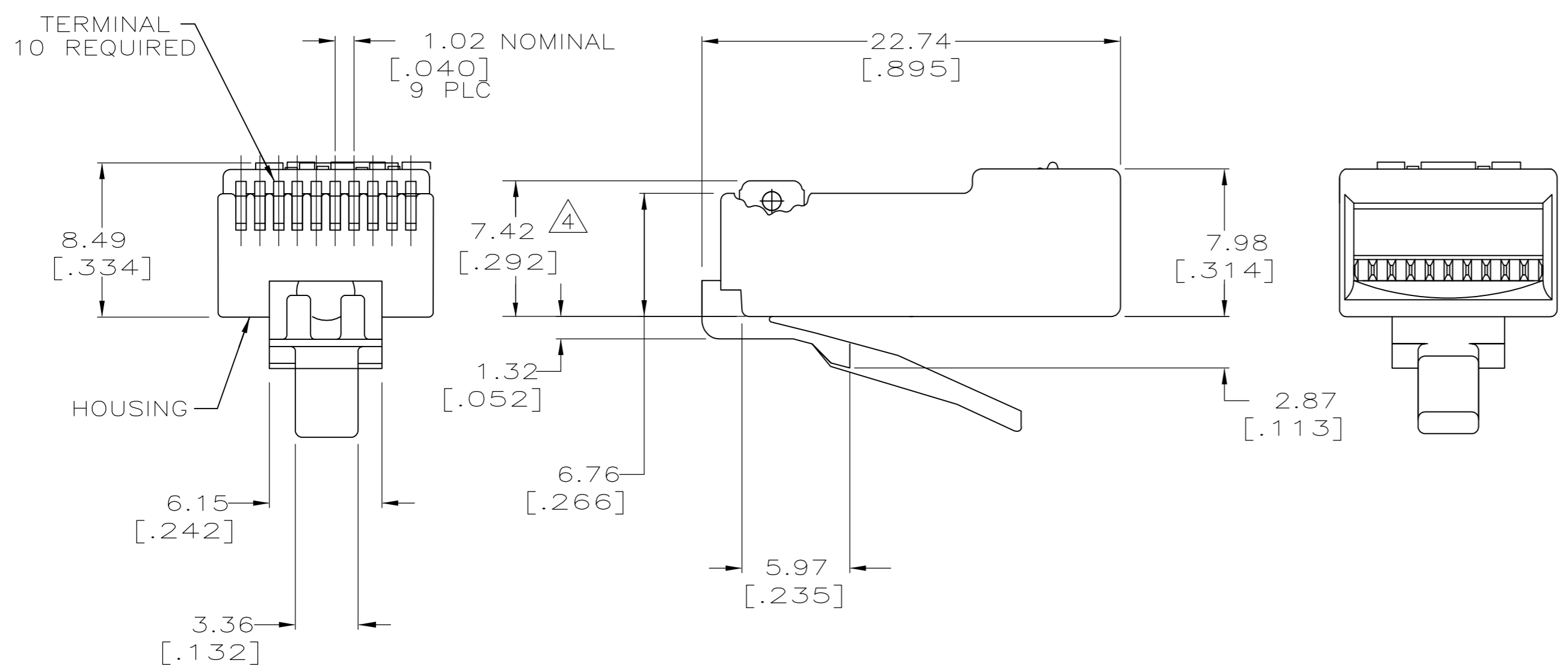
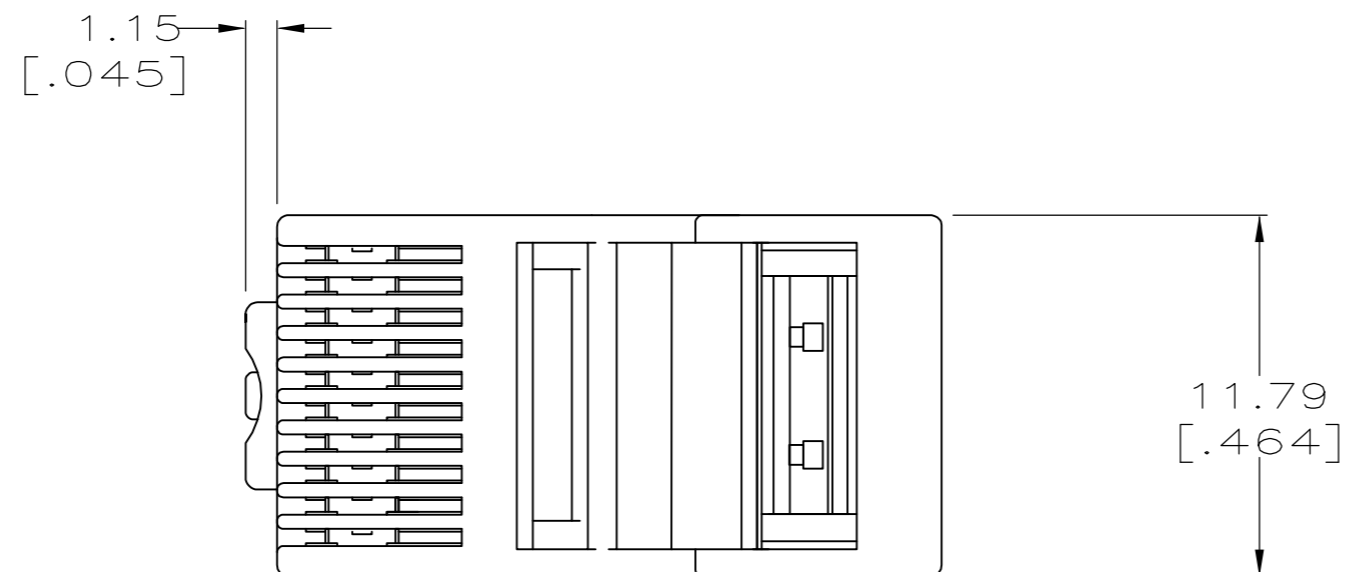


THIS DRAWING IS UNPUBLISHED. RELEASED FOR PUBLICATION
 © COPYRIGHT - By - ALL RIGHTS RESERVED.

LOC		DIST		REVISIONS			
P	LTR	DESCRIPTION		DATE	DWN	APVD	
HM	00	E		REV; ECO-14-004548	26MAR2014	GG	JG

- 1. DIMENSIONS ARE MAXIMUM UNLESS OTHERWISE SPECIFIED.
- 2. MATERIAL: HOUSING- POLYCARBONATE, CLEAR
 TERMINAL - .36 [.014] THICK PHOSPHOR BRONZE PLATED WITH .178 μ m[.000007] THICK GOLD IN LOCALIZED PLATE AREA, OVER .762 μ m[.000030] THICK PALLADIUM NICKEL IN LOCALIZED PLATE AREA OVER 2.54 μ m[.000100] THICK NICKEL ON ENTIRE CONTACT.
- 3. PLUG WILL ACCEPT 24 TO 28 AWG STRANDED WIRE, 0.74-0.99 [.029-.039] DIAMETER, WITH A 5.34 [.210] DIAMETER JACKET.
- 4. TERMINATED DIMENSION 6.15 [.242] MAXIMUM.
- 5. 500 ASSEMBLIES PER PACKAGE.
- 6. 100 ASSEMBLIES PER PACKAGE.



6	5-557963-3
5	5-557963-2
PACKAGED	PART NUMBER

THIS DRAWING IS A CONTROLLED DOCUMENT.		DWN	24-APR-93		TE Connectivity		
DIMENSIONS: mm [INCHES]		CHK	11-MAY-93		NAME		
TOLERANCES UNLESS OTHERWISE SPECIFIED:		APVD	14-MAY-93		PRODUCT SPEC		
0 PLC ± - 1 PLC ± - 2 PLC ± - 3 PLC ± - 4 PLC ± - ANGLES ± - FINISH ± -		M. HAWKINS 108-1163 APPLICATION SPEC 114-6016 WEIGHT -			MODULAR PLUG ASSEMBLY, 10 POSITION, ROUND CABLE, STRANDED WIRE		
MATERIAL		SIZE	CAGE CODE	DRAWING NO	RESTRICTED TO		
FINISH		A2	00779	C=557963	-		
CUSTOMER DRAWING				SCALE	SHEET	REV	
				4:1	1 of 1	E	

557963